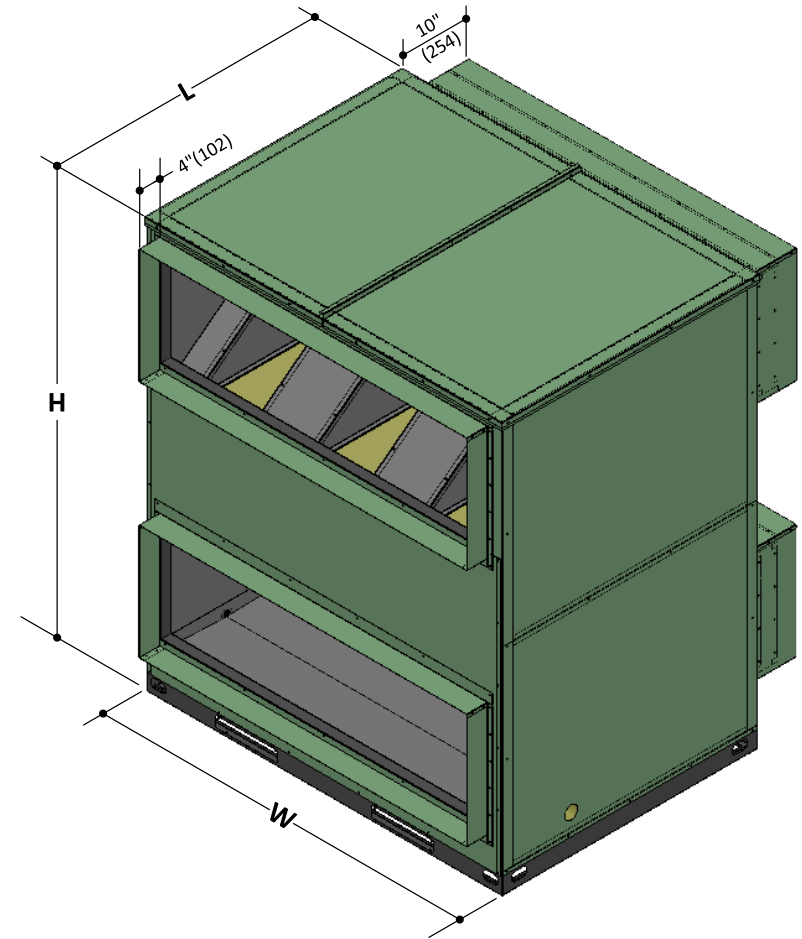


- ◆ High Efficiency Plate Heat Exchanger
- ◆ Up to 80% Efficiency
- ◆ Reliable—No Moving Parts
- ◆ Cross or Parallel flow patterns
- ◆ Sanitary Drain Pan—No Standing Water

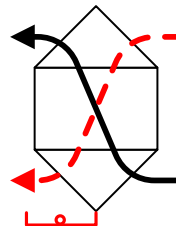
MODEL HX_M- (e)	f ³ /m	DIMENSIONS (In) (a)				FILTERS (a)	WEIGHT (a)
		L	W	H	Duct	Qty - Size (In)	lb
4A0202	500	19	26	47	10x20	1-10x20x2	335
4A0302	750	19	37	51	12x20	1-12x20x2	452
4A0204	1,000	34	26	59	16x20	1-16x20x2	564
4A0304	1,500	34	37	59	16x32	2-16x16x2	716
4A0404	2,000	34	47	59	16x40	2-16x20x2	859
4A0504	2,500	34	58	60	16x50	2-16x25x2	1,018
4A0406	3,000	49	47	76	24x40	2-24x20x2	1,274
4A0506	3,750	49	58	76	24x50	3-20x20x2	1,485
4A0606	4,500	49	69	76	24x60	3-20x24x2	1,695
4A0706	5,250	49	79	76	24x72	3-24x24x2	1,894
4A0608	6,000	64	69	88	30x64	6-16x20x2	2,240
4A0708	7,000	64	79	86	28x75	6-14x25x2	2,472
4A0808	8,000	64	90	94	32x80	8-16x20x2	2,835
4A0810	10,000	79	90	110	40x80	8-20x20x2	3,610
4A0812	12,000	94	90	126	48x72	8-18x24x2	4,483
4A0814	14,000	109	90	130	50x84	12-25x14x2	5,346
4A0816	16,000	124	90	150	60x80	8-30x20x2	6,247

(a) Weight and Dimensions are subject to change without notice

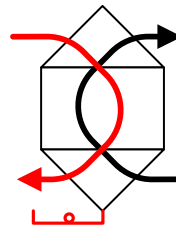
(e) Insert "I" for indoor or "O" for outdoor construction. Example HXIM or HXOM



CROSS
PATTERN



PARALLEL
PATTERN



OPTIONAL PATTERNS
(NOT SHOWN)

