

MSP[®] TECHNOLOGY IS SIMPLY THE MOST EFFICIENT HUMIDITY CONTROL SOLUTION FOR WATER AND WASTE TREATMENT PLANTS

REDUCES HUMIDITY AND CONDENSATION



Water and waste water treatment facilities have humid environments. Moisture must be controlled to avoid condensation on metal surfaces such as pipes and critical electrical components, which leads to corrosion and shortened life.

The key to managing moisture issues is effective dew point control. When the dew point of the air inside the facility is kept below the surface temperature of cold surfaces such as water pipes, condensation and subsequent corrosion, is avoided.

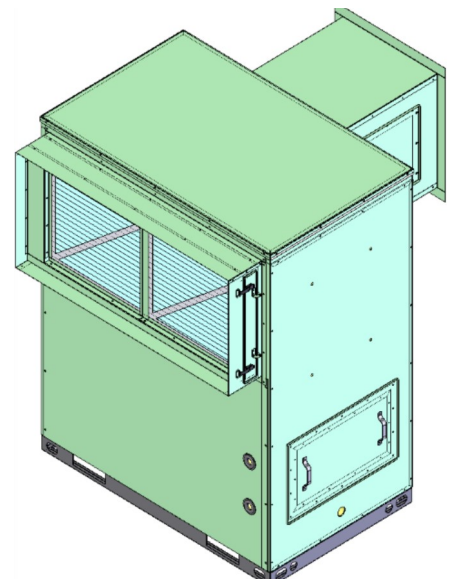


MSP[®] Technology offers high efficiency dehumidification solutions tailored to each application. Our corrosion resistant design includes stainless steel construction and epoxy coated components. MSP[®] Wrap-Around Plate Dehumidification Technology has no moving parts in the airstream (except a belt-free fan) and is a reliable, low maintenance product with superior operating costs savings.

▶ Key Benefits & Features

- **Reliable** Simple Technology, No Moving Parts, Low Maintenance
- **Performs** Delivers consistent low dew-point temperatures
- **Sanitary** Full Draining, No Standing Water
- **Efficient** Cuts dehumidification operating costs by up to 70%
- **Fast ROI** Lower capital costs, Competitively priced
- **Versatile** Chilled Water and Refrigerant units
- **Flexible** Horizontal, Vertical and Modular configurations
- **Cutting-Edge Control Systems**
- **Protects** Stops Corrosion of metal, deterioration of paint and failure of electrical components due to high humidity.

DEHUMIDIFIER WITH MSP[®] TECHNOLOGY



ABOUT MSP® DEHUMIDIFICATION TECHNOLOGY

MSP® Dehumidification Technology is offered in a wide range of super-efficient, industrial grade dehumidification equipment under the MSP Technology brand, and others. Designed specifically for green applications, MSP products are engineered for high performance, guaranteed.

SOME APPLICATIONS FOR MSP TECHNOLOGY

CONDENSATION CONTROL

Supermarkets • Indoor Ice Rinks • Water Treatment
Wastewater Treatment Facilities

INDUSTRIAL DRYING

Leather • Food Drying • Paper Production
Investment Casting • Lumber

PRESERVATION

Dry Storage Warehouses • Paper Storage
Museums • Archives • Libraries • Film Storage

EXPLOSIVE & FLAMMABLE ENVIRONMENTS

Paint Spray Booths • Military • Munitions Storage

CRITICAL ENVIRONMENT

Semiconductor Manufacturing • Pharmaceuticals
Health Care • Laboratories • Clean Rooms

INDOOR FARMING

Produce • Medical Marijuana

ATMOSPHERIC WATER GENERATION

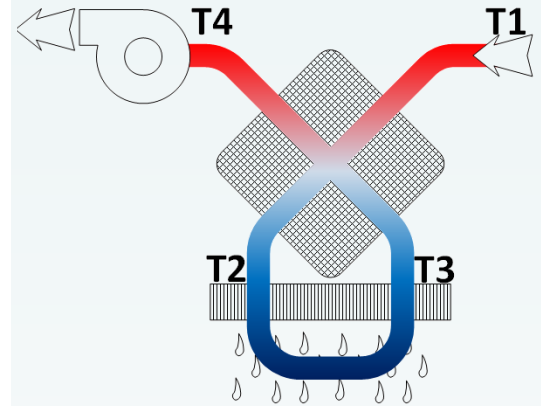
OUR CLIENTS INCLUDE



and many more...

HOW IT WORKS

MSP® DEHUMIDIFICATION AND ATMOSPHERIC WATER GENERATION TECHNOLOGY



STEP 1 Warm, humid incoming air (T1) flows through the first pass of the plate type air-to-air heat exchangers for pre-cooling and initial condensing and water production. This is accomplished by regenerative thermal exchange with the cooler air that is leaving the heat exchanger. (see step 3)

Advantage: Pre-cooling, condensing and water production by regenerative thermal exchange are "free" and involve no additional equipment.

STEP 2 Pre-cooled air (T2) then passes twice over conventional cooling coils for final cooling, condensing and water production

Advantage: Pre-conditioned air can be treated much more efficiently, using smaller compressors that require as little as one-half the power.

STEP 3 The cool, now dry air (T3) is then drawn back through the opposite side of the heat exchanger where it absorbs some heat from incoming air (see step 1) and continues on to possibly serve a secondary purpose.

Advantage: No heating coil—and no energy penalty—needed to reheat the dehumidified air before it enters the conditioned environment.